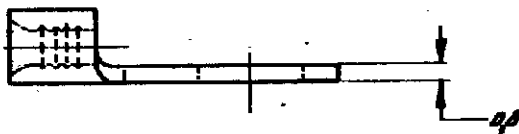
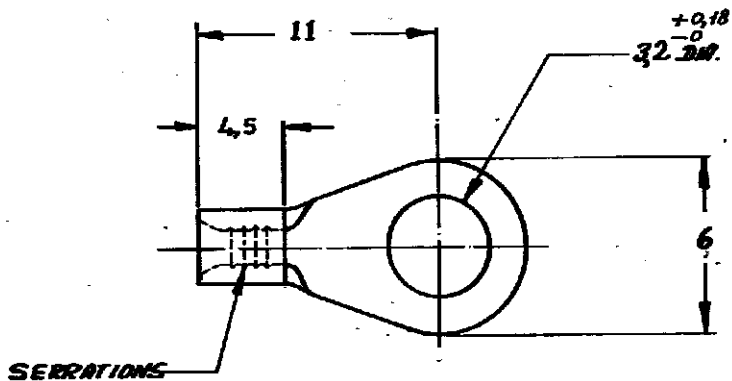



NUMBER
C-165291-E

DRAWING MADE IN AMERICAN PROJECTION



DRAWING IN ALU. DO NOT SCALE PRINT

CUSTOMER COPY FOR REFERENCE ONLY			
©1967 BY AMP-HOLLAND N.V. ALL RIGHTS RESERVED A-MP PRODUCTS COVERED BY PATENTS AND/OR PATENTS PENDING.			 AMP-HOLLAND N.V. WIEBOGENBOSCH HOLLAND
165291	COPPER	TINPLATED	
ORDER NO.	MATERIAL	PLATING	
DESIGNED BY R. BONDST.	DATE 16-67	CHK'D BY K. P. B. van der... DATE 17-67	WIRE RANGE 0.5-1 mm ² INSUL. RANGE — TYPE - DIN - S211STRAND SCALE — LOC H SIZE A NO C-165291-E REV D
NAME RINGTONGUE stud: M3			